



NORDIC BEAST

CAT WHEEL INSTALLATION MANUAL

HINT:

Do not tighten all the mounting screws completely at once. Instead, tighten them again individually after installing and forming each component.

Read the manual once through before starting the assembly.

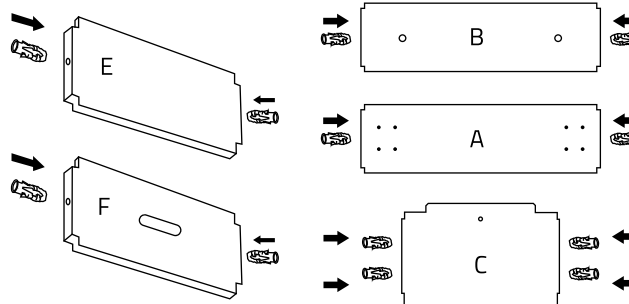
LAYOUT MATERIALS ■ Product Components

For **video assembly** visit - www.nordicbeast.eu/hello



 Ax2	 Cx2 <small>* One of them has a screw hole</small>	 Dx6
 Bx2	 Fx1	 Gx2
 Ex23 <small>* three pieces of E have double holes on the side</small>	 Ix1	 Jx4
 Kx16	 Lx1	 Nx16
 Ox1	 Mx70	 Nx70
 Px4 <small>long screw</small>	 Qx4	 Rx4

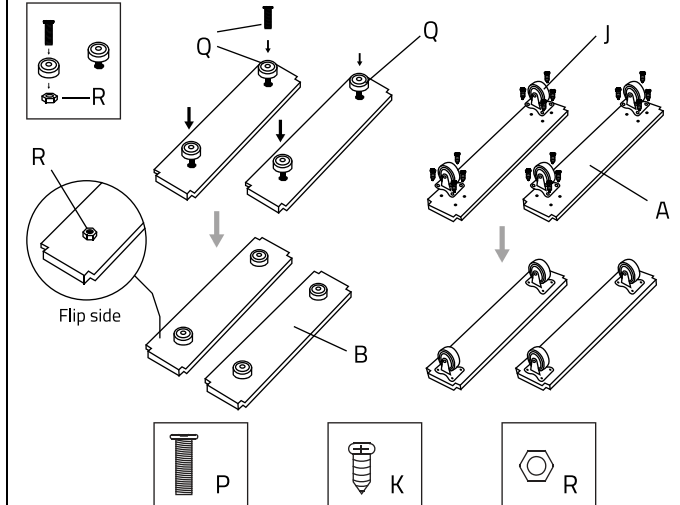
STEP 01 Install anchor plugs



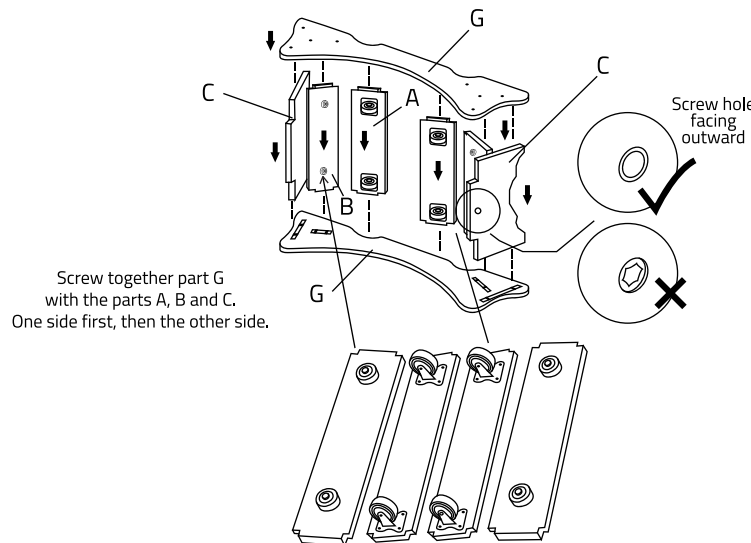
Insert the N yellow anchor plugs into the holes at both ends of the parts A, B, C, E, F



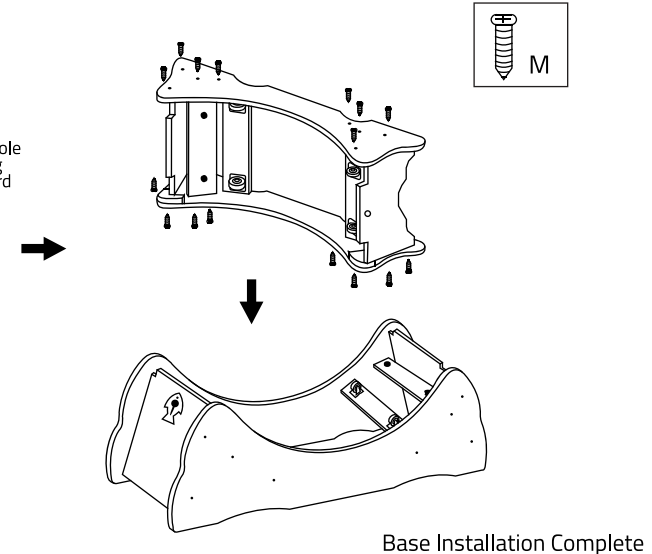
STEP 02 Install the wheels Q to the plate B and the wheels J to the plate A



STEP 03 Putting the base of the wheel together

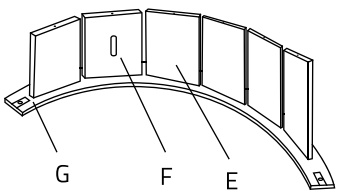


Screw together part G with the parts A, B and C. One side first, then the other side.

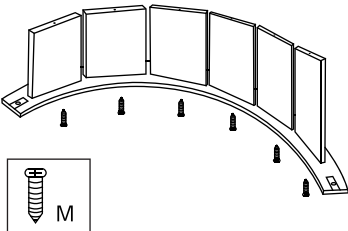


Base Installation Complete

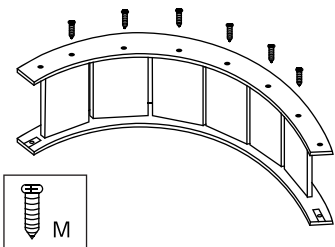
STEP 04 Place part F at a random place



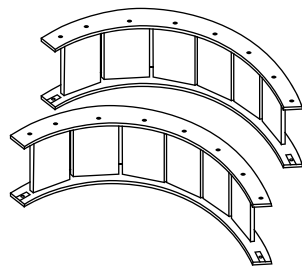
STEP 05 Attach plates E to the arch D using screw M



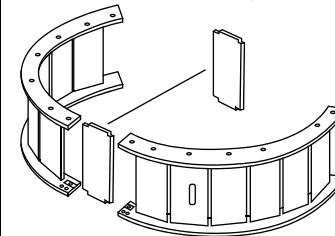
STEP 06 Fix another arch on the opposite side of plates E



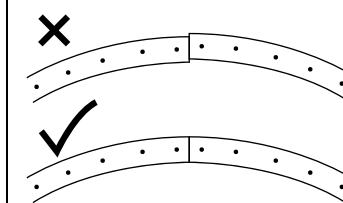
STEP 07 Repeat steps 4-6 until all of the 3 arches are assembled



STEP 08 Use the part E (with double screw holes) for connecting the arches together

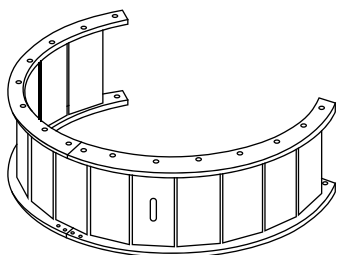


STEP 09 Align the two sides and tighten the screws.

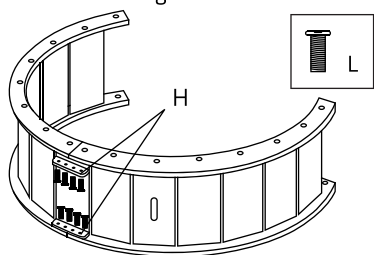


Note: Align the arches evenly before connecting them together

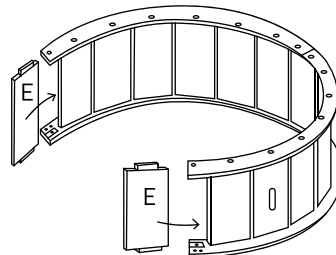
STEP 10 Connecting the arches



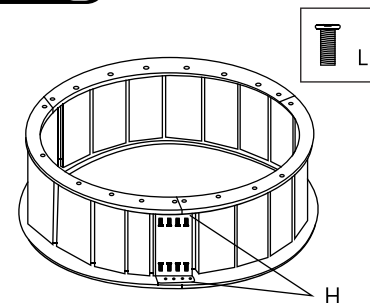
STEP 11 Attach fixators H to the outer side of the arches using screw L



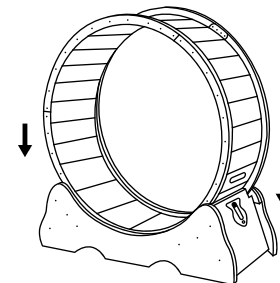
STEP 12 Assemble the wheel together



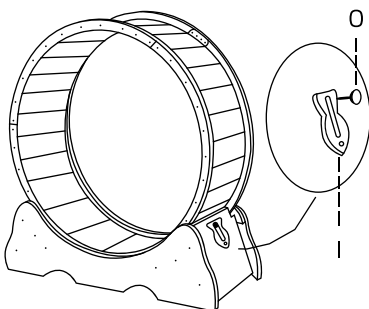
STEP 13 Install the final fixator H



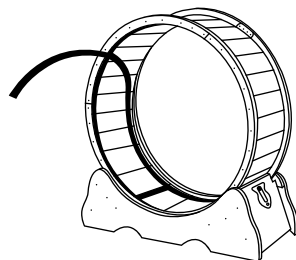
STEP 14 Place the wheel on the base



STEP 15 Install the break to the wheel

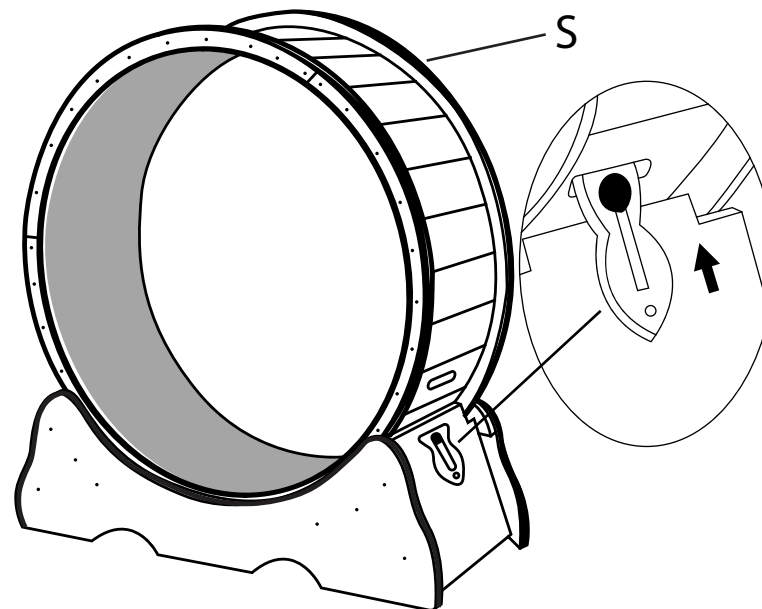


STEP 16 Glue the Velcro to the inside of the treadmill's running area

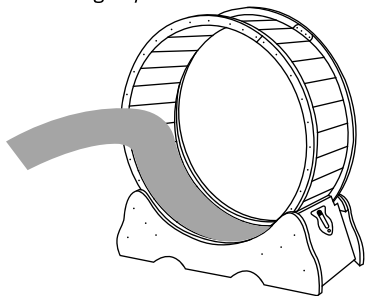


Note: Wipe the running area clean before gluing Velcro

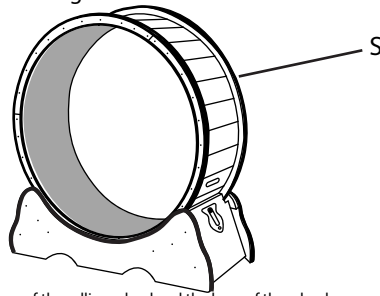
How to use the break



STEP 17 Attach the carpet evenly and tightly to the inside of the runway



STEP 18 Applying the gold accent strip along the **bold*** lines



*Inner and outer edges of the rolling wheel and the base of the wheel

Although we always inspect our products thoroughly, make sure to let us know if there is anything missing!

